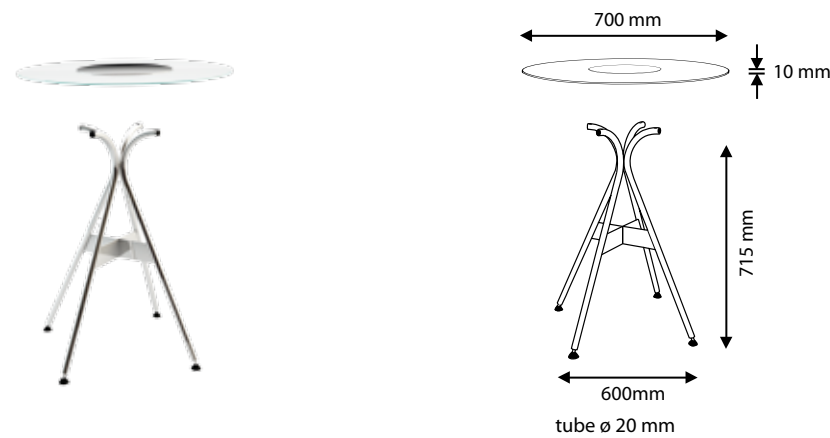
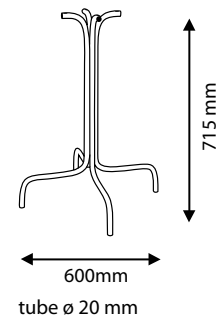


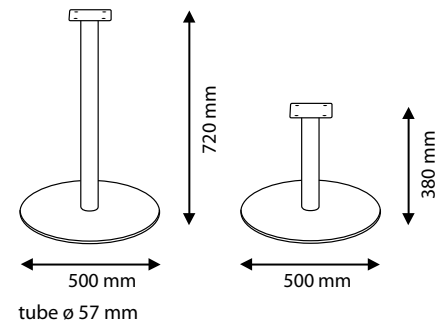
LOBO TABLE



LOBO NP table

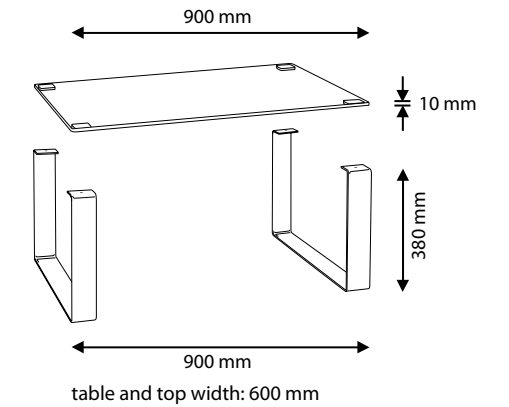


LOBO NG table



LOBO Table - flat base W and N

CUBBY TABLE



Technical information:

LOBO NP and NG Table:
Height without top - 715 mm
Height with glass top - 735 mm
Base width - 600 mm
Top diameter - 700 mm

LOBO Table flat base W and N:
Height without top - 720 mm (W), 380 mm (N)
Height with glass top - 740 mm (W), 400 mm (N)
Base diameter - 500 mm
Top diameter - 700 mm

CUBBY Table:
Height without top - 380 mm
Height with glass top - 400 mm
Base dimensions - 600 x 380 mm
Top dimensions - 900 x 600 mm

General information:

The base and the top are sold separately (optional).
Tables must be assembled.
Table bases are available in the following colours:
Lobo Table flat base: brushed steel, aluminium, black.
Lobo NP, NG and Cubby Tables: chrome, aluminium, black.
Tops are made of bevelled tempered glass.

Version 1/2012

The manufacturer reserves the right to introduce changes in construction and parameters which do not decrease the utility values of furniture.

Optuma.it
stilibus Jusa biarui